

Big Country[®] by WAKO[®]

 Owner / Operator's Manual

Flex Harrow Mounting Instructions



Visit our website @ www.wakollc.com

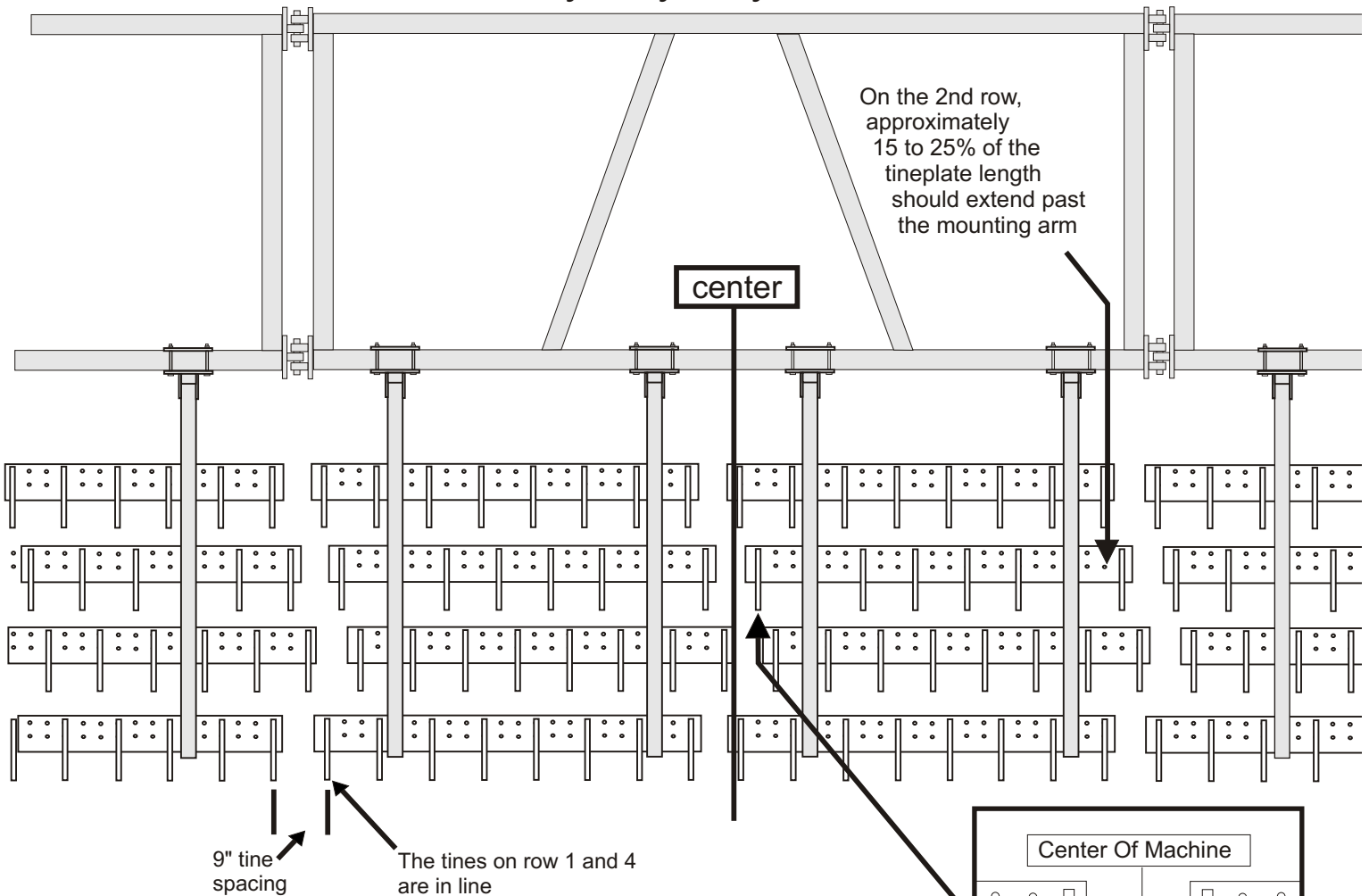
Big Country[®]
by WAKO[®]

5606 N. Hwy 81
Enid, OK. 73701

(580) 234-3434
(800) 299-4300
www.wakollc.com

FLEX HARROW

These are general mounting instructions.
Installation may vary on your machine.



1. Bolt the tines onto the tine plates
2. We found it best to begin with the center section.
Lay out the SECOND ROW of tineplates on the ground behind your implement. Find the center of your machine and measure over 4-1/2 inches for the first tines. (see figure one)
3. Loosely hang the frame mounting brackets and arms and adjust so that approximately 15 to 25 percent of the total length of your tineplate (on the second row) extends past the mounting arms. (see above picture) (for example on a 120" tine plate your mounting arm would be 18 to 30 inches from the end of the plate)
4. Bolt the knuckles to the tine plates in the appropriate positions and hang the center section tineplates. If you have more than a 3 row harrow, then the 4th row will be directly in line with the 1st row (see above picture)
5. Lay out the wing section tinebar so that there is 9 inches of space between the end tines. (see above picture)

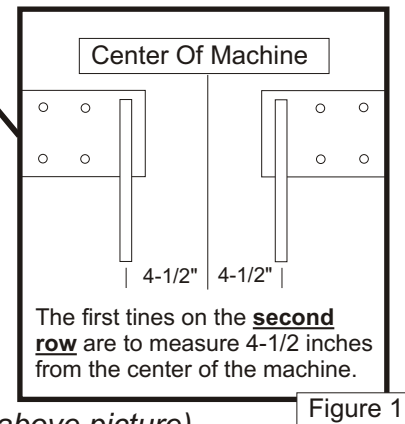


Figure 1

Big Country[®]
by WAKO[®]

5606 N. Hwy 81
Enid, OK. 73701

(580) 234-3434
(800) 299-4300
www.wakollc.com

FLEX HARROW

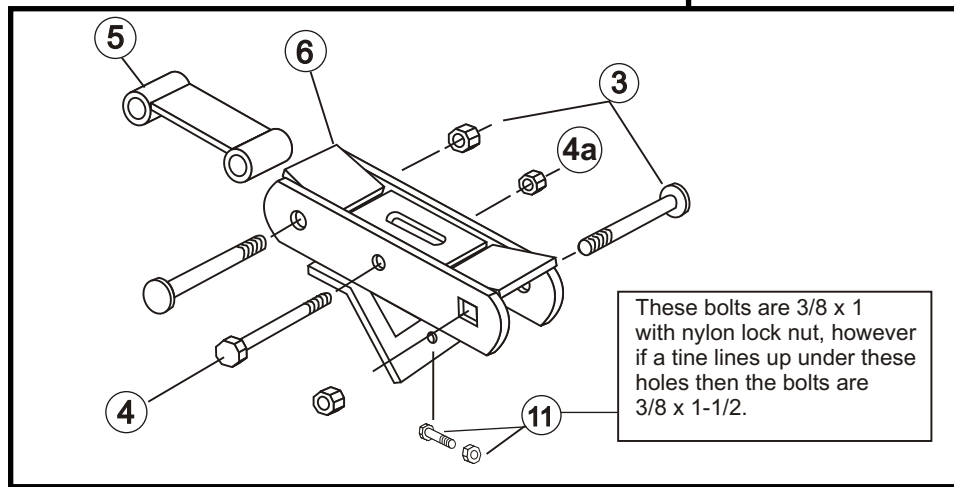
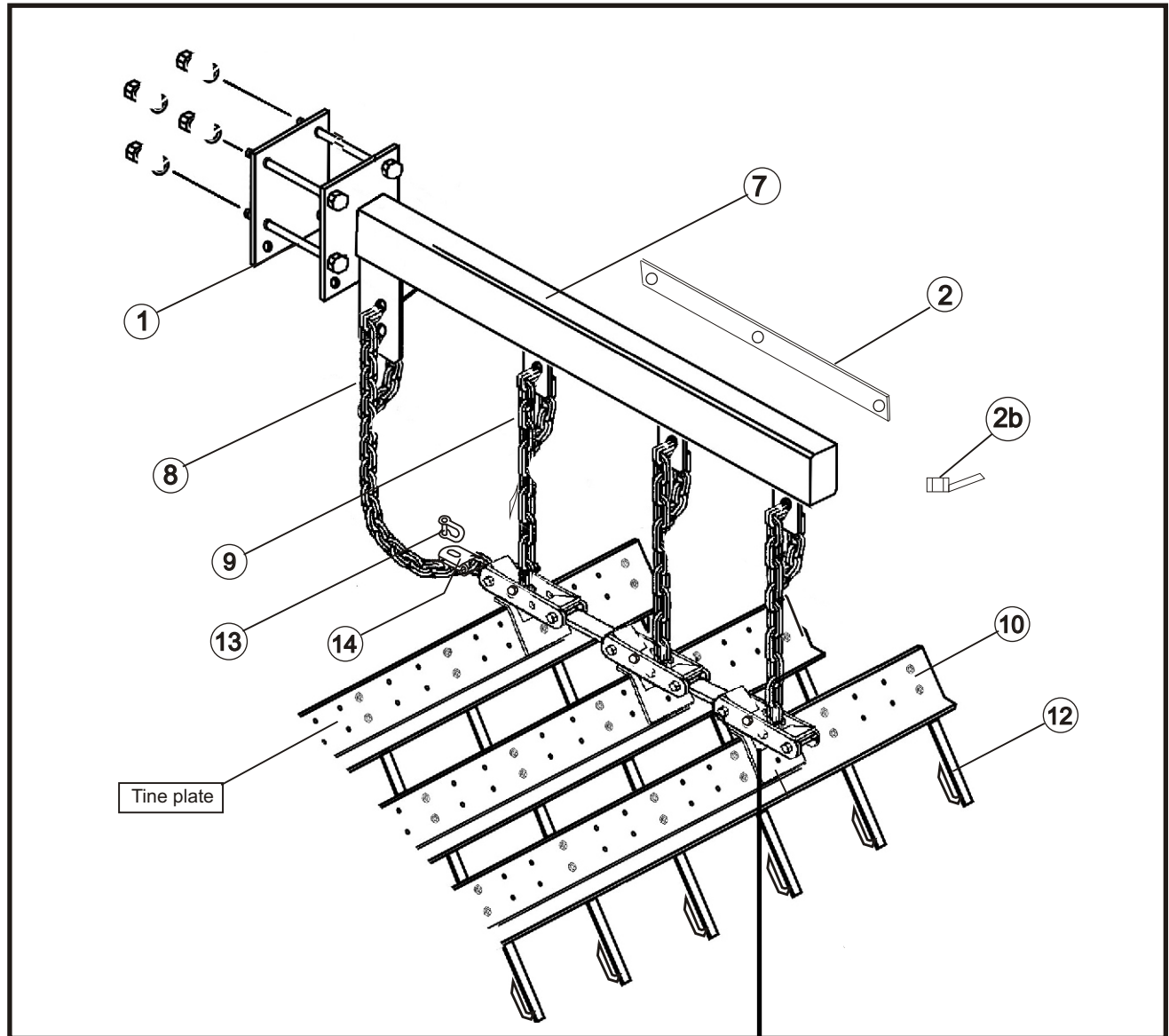


Big Country[®]
by WAKO[®]

5606 N. Hwy 81
Enid, OK. 73701

(580) 234-3434
(800) 299-4300
www.wakollc.com

FLEX HARROW



Big Country[®]
by WAKO[®]

5606 N. Hwy 81
Enid, OK. 73701

(580) 234-3434
(800) 299-4300
www.wakollc.com

FLEX HARROW

PARTS LIST

ITEM NO.	PART NUMBER	DESCRIPTION
1	FHC586	BOLT HXCP 5/8 X 6 (BOLTS DIFFER PER FRAME SIZE)
b	FNT58W	NUT HX 5/8 NYLON LOCK
2	Z0528-KPR	KEEPER, FLEX ARM 3-ROW
	Z0529-KPR	KEEPER, FLEX ARM 4-ROW
	Z0528-WSA	KEEPER, TOP HAT
b	FNT12W	NUT HX 1/2 NYLON LOCK
3	FCR58312	BOLT CARRIAGE 5/8 X 3-1/2
c	FNT58W	NUT HX 5/8 NYLON LOCK
4	FHC12312	BOLT HXCP 1/2 X 3-1/2
a	FNT12W	NUT HX 1/2 NYLON LOCK
5	Z0532A	LINK (FULL) CAST HINGE
6	Z0522-WSA	KNUCKLE (NO LINK OR BOLTS)
7	Z0528-LAND	ARM (CULTIVATOR) 3-ROW (LANDMARK)
	Z0528-WSD	ARM (CULTIVATOR) 3-ROW (WAKO)
	Z0529-WSD	ARM (CHISEL) 3 & 4-ROW (WAKO)
	Z5529-SUB1	ARM (BCW CHISEL) 4-ROW DIAMOND
8	Z0539A	LEAD CHAIN 39 1/2" (CULTIVATOR OR CHISEL)
9	Z0539B	HANG CHAIN 27 1/2" (CULTIVATOR OR CHISEL)
10	FHC38114GR8	BOLT HXCP 3/8 X 1-1/4 GR8 (TINE TO PLATE)
	FNT38T	NUT HX 3/8 TOP LOCK
11	FHC381GR8	BOLT HXCP 3/8 X 1 GR8
	FHC38114GR8	BOLT HXCP 3/8 X 1-1/2 GR8
	FNT38T	NUT HX 3/8 TOP LOCK
12	Z8526-WSB	TINE W/CHROMIUM INSERT
13	MCL38G	CLEVIS 3/8
14	Z0532B	LINK (HALF) CAST HINGE



5606 N. Hwy 81
Enid, OK. 73701

(580) 234-3434
(800) 299-4300
www.wakollc.com

FLEX HARROW

Appendix

Please use the included 1/2" flat washers as shown in the illustration below.



Big Country[®]
by WAKO[®]

5606 N. Hwy 81
Enid, OK. 73701

(580) 234-3434
(800) 299-4300
www.wakollc.com