

# WAKO ROADRUNNER75

UTV/75 GALLON SPRAYER



## OWNERS MANUAL



### ROADRUNNER UNITS

GAS POWERED UNIT: PART# ASRW075

ELECTRIC UNIT: PART# ASRW075E

### ELECTRONIC CAB CONTROLS

GAS: PART# ASRW075GCC

ELECTRIC: PART# ASRW075ECC

FAMILY OWNED AND OPERATED SINCE 1962

580-234-3434  
800-299-4300

5606 N. US 81 HWY,  
ENID, OK. 73701

WAKOLLC.COM



# INTRODUCTION

**Thank you for your purchase of a WAKO UTV 75 GALLON SPRAYER. We appreciate your business and hope you receive many years of service from your purchase.**

**Please read and all warnings starting with those listed below.**



**TIE DOWN THE SPRAYER  
UTV ROLLOVER HAZARDS  
LIQUID IN TANK MAY CAUSE WEIGHT TO SHIFT  
WINTERIZATION REQUIRED**

**Additional warnings are listed, however the list is not exhaustive to all warnings you should adhere.**



# WARNINGS



1. When connecting this sprayer to your UTV (or vehicle), ensure that you have read the UTV's Owner's Manual and that you comply with all the weight restrictions as specified by the UTV's manufacturer, as overloading can cause injury or death. Remember that 1 gallon of water weighs 8.33 pounds.
2. To ensure your own safety and that of others, you must comply with all relevant environmental, work place health, safety legislation and codes of practice.
3. Select and wear appropriate Personal Protection Equipment in accordance with the label of the product you intend to use.
4. Care should be taken when spraying in windy conditions as spray drift may contaminate the air and may affect the operator or damage adjacent non-target vegetation. It is recommended that a speed of 6mph is not exceeded.
5. Once the spraying operation has been completed, decontaminate the spray tank and spray accessories. Dispose of tank rinsings in compliance with current environmental, workplace health and safety regulations.
6. Personal Protection Equipment must still be worn while decontaminating your sprayer as per warning 3 above.
7. Improper or careless use of this sprayer can cause serious injury. Minors should never be allowed to use this sprayer. This sprayer should not be used when bystanders or animals are in the area. This sprayer should never be used while children are in the area.
8. Never leave the sprayer unattended without turning off the pump, relieving the line pressure, and flushing the sprayer of any harmful chemicals.
9. You must be in good mental health to operate this sprayer and not be under the influence of alcohol or any drugs that could impair your vision, physical strength, dexterity, judgment, or other mental capacity.!
10. Be alert and never touch any part of the engine exhaust system (muffler, shield, header pipes, etc.) while the engine is running. Always allow enough time, after stopping the unit, for proper cooling of the muffler and surrounding parts.
11. Refuel engine with care. Gasoline is flammable, and gasoline vapor can explode. Refuel in a well-ventilated area, with the engine stopped.
12. Never run the pump in a closed or confined area. Exhaust gas contains carbon monoxide which is poisonous to humans. Avoid inhalation of exhaust gas.
13. No modifications and/or alterations may be made to this sprayer. Any such modifications not only void the sprayer warranty but can make the unit dangerous to anyone operating the pump.
14. Always inspect hoses and piping to avoid burst injuries.

# GETTING STARTED

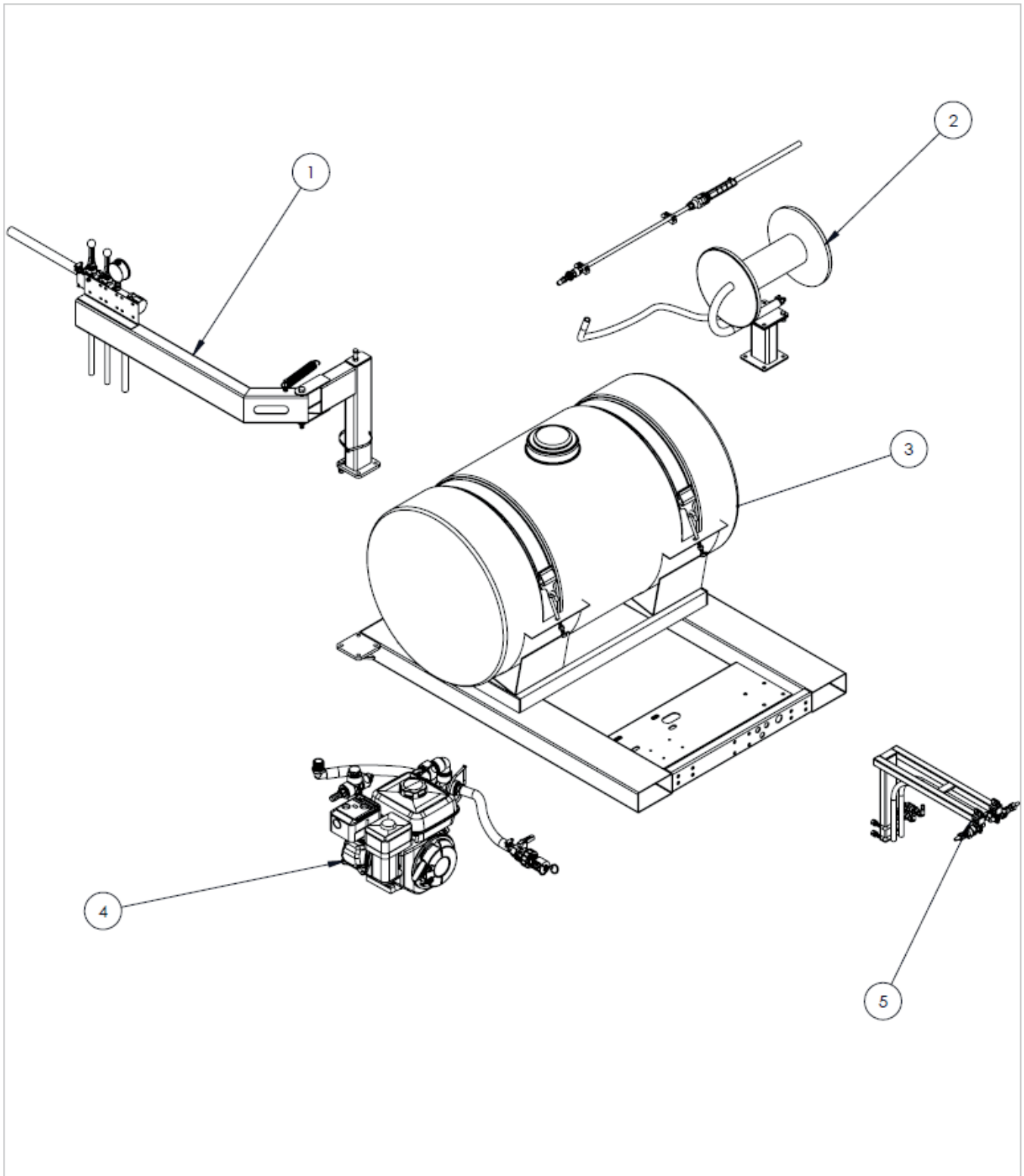
1. Secure the Wako 75 Gallon UTV Sprayer with appropriate hardware such as Ratchet Straps.
2. GAS PUMP: check the oil. This unit is equipped with an oil sending unit and will not start if oil level is low. (FOR COMPLETE INSTRUCTION REFER TO HONDA OWNER'S MANUAL)
3. ELECTRIC PUMP: Wako recommends a direct wire to the battery. Make sure your wiring will carry the correct amperage.
4. Fill with water and run through system to check for leaks and remove any debris.
5. Use the nozzle spray chart to set your pressure regulator based on the speed and gallons required.
6. You are now ready to spray.

# STORING/WINTERIZATION

1. Drain Tank. Fill the tank with clean water, start the pump and open all spray ends. If you have a spray gun or boom, make sure you spray until clean water is coming through.
2. Blow out Plumbing Lines Using compressed air, blow out the hose lines to remove all water from the system.
3. Flush with Anti-freeze. Pour a small amount of anti-freeze into the tank and run the pump until there is no more of this colored liquid coming through the spray ends.
4. If you are using BOOMS. Diaphragm cap from nozzle body and let drainout.
5. DRAIN THE PUMP.
6. Store Sprayer Inside. Turn off the sprayer ends so the remaining anti-freeze does not leak out. If you have a boom attachment that hangs lower than the sprayer, we suggest you set the sprayer on a few pallets.

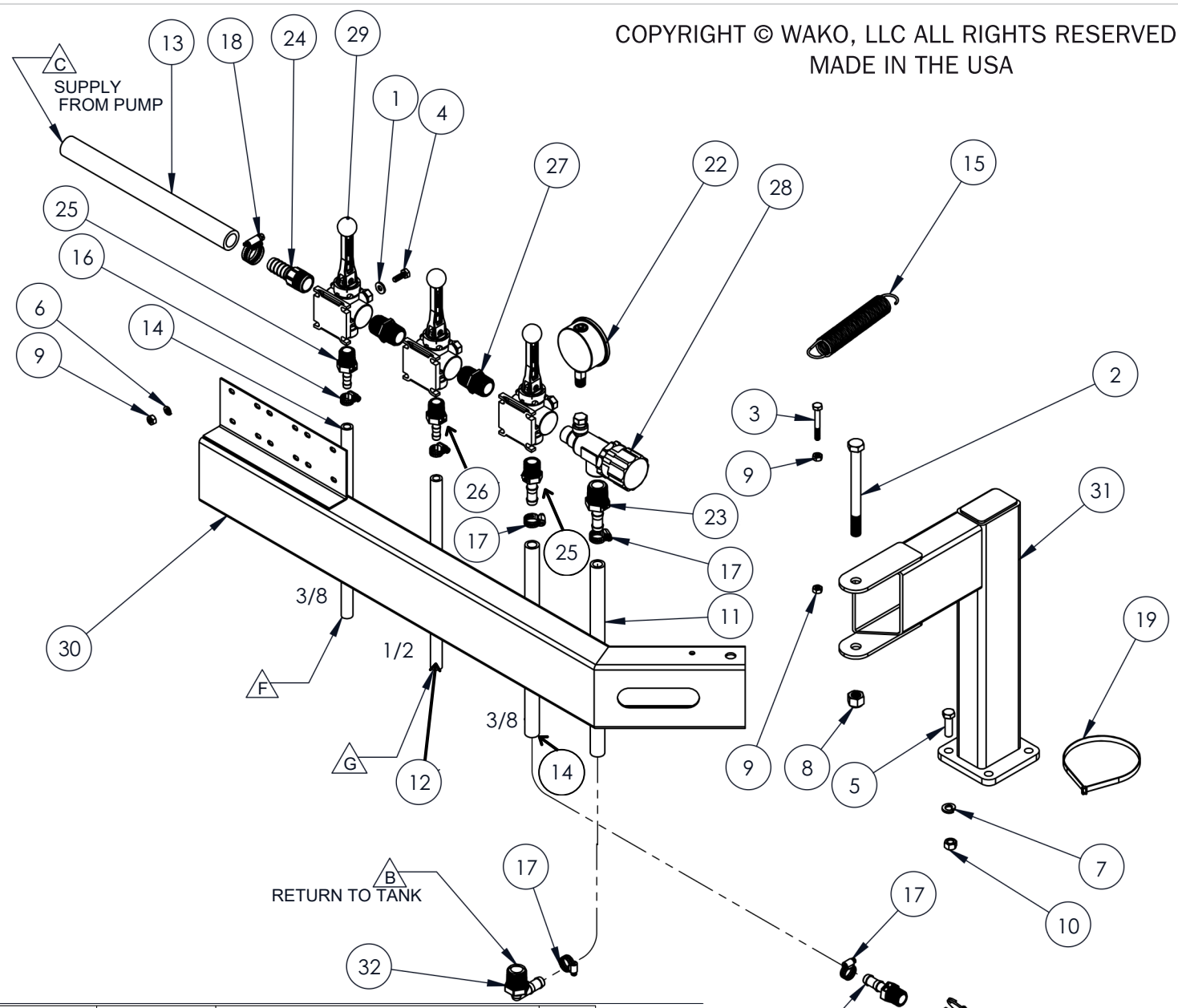


# UTV SPRAYER 75 GALLON

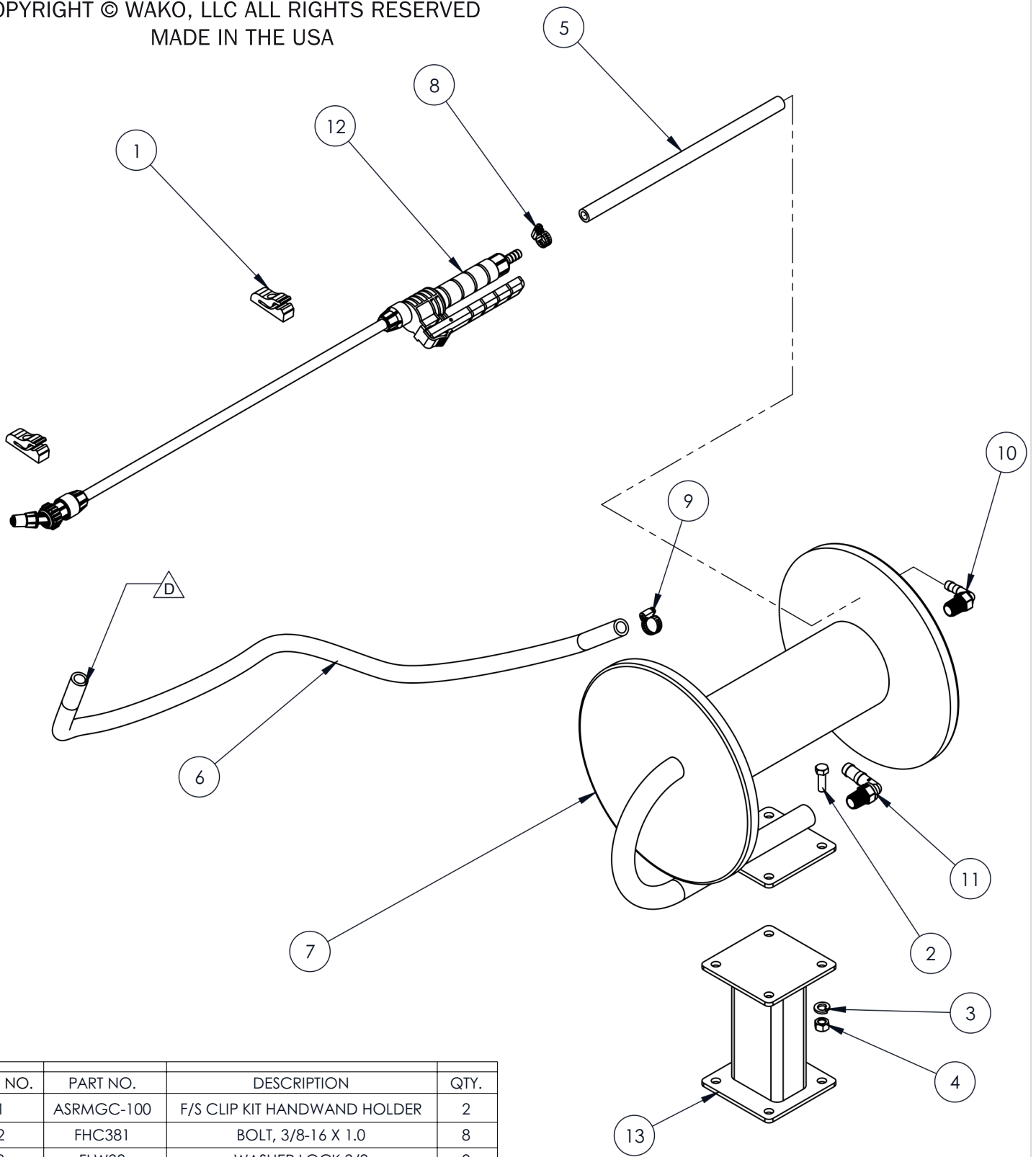


ITEM NO.	PART NO.	DESCRIPTION	QTY.
1	SWINGARM ASSEMBLY	SWINGARM ASSEMBLY	1
2	HOSE REEL ASSEMBLY	HOSE REEL ASSEMBLY	1
3	TANK AND SKID ASSEMBLY	TANK AND SKID ASSEMBLY	1
4	PUMP AND ENGINE ASSEMBLY	PUMP AND ENGINE ASSEMBLY	1
5	BOOMLESS SPRAYER ASSEMBLY	BOOMLESS SPRAYER ASSEMBLY	1

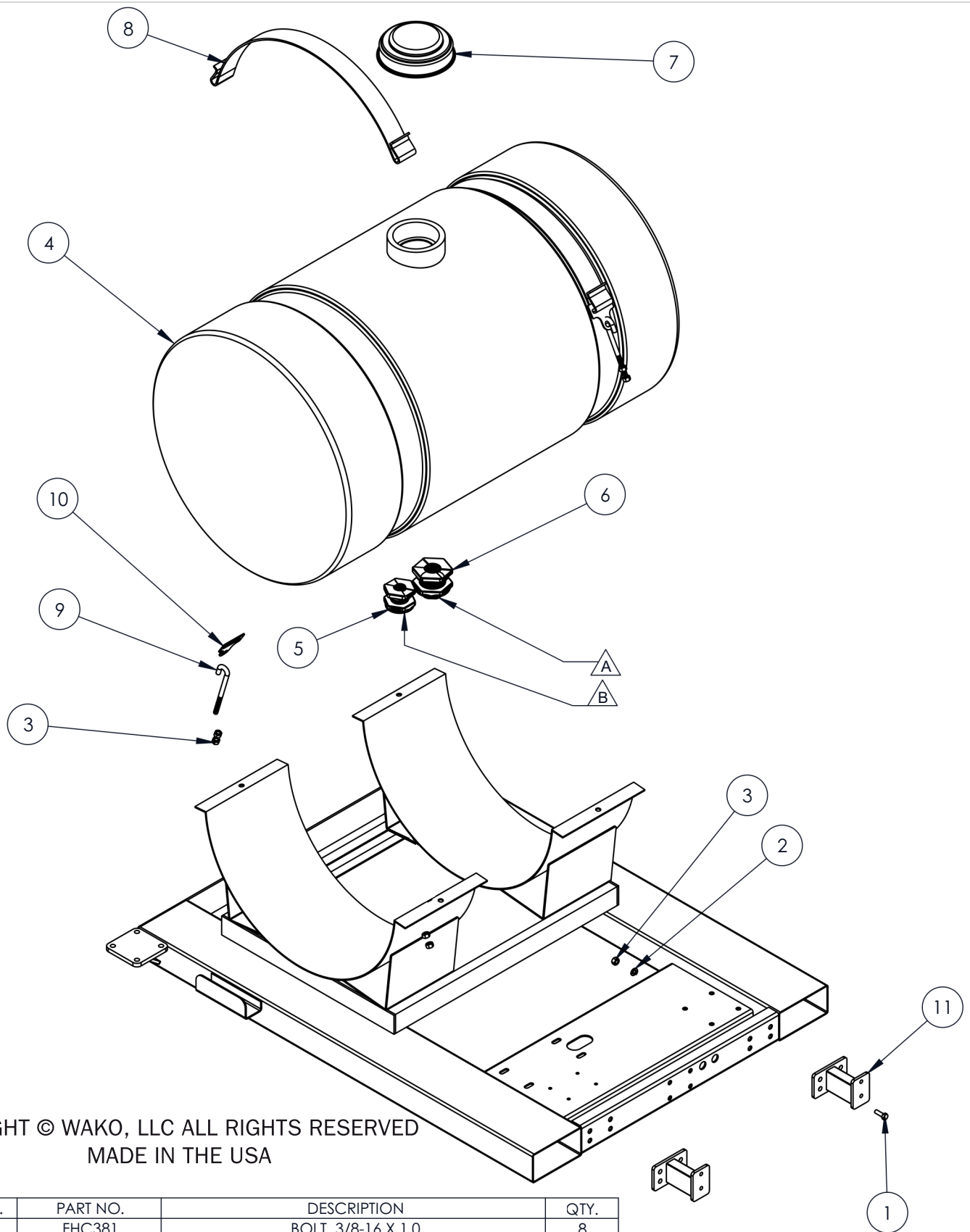
WAKO LLC  
**Wako UTV Sprayer 75 Gal**  
 ASRW075 Sheet 1 of 1



ITEM NO.	PART NO.	DESCRIPTION	QTY.
1	FFW14	WASHER FLAT 1/4	4
2	FHC12512	BOLT HXCP 1/2 X 5 - 1/2	1
3	FHC142	BOLT HXCP 1/4 X 2	1
4	FHC1434	BOLT HXCP 1/4 X 3/4	4
5	FHC38114	BOLT HXCP 3/8 X 1-1/4 GD5	4
6	FLW14	WASHER LOCK 1/4	4
7	FLW38	WASHER LOCK 3/8	4
8	FNT12W	NUT HX 1/2 NYLON LOCK	1
9	FNT14	NUT HX 1/4	6
10	FNT38	NUT, .38 HEX ZP	4
11	HOEP012	HOSE EDPM 1/2 WP200# X 78"	1
12	HOEP012	HOSE EDPM 1/2 WP200# X 8'	1
13	HOEP034	HOSE EDPM 3/4 WP200# X 8'	1
14	HOEP038	HOSE EDPM 3/8 WP200# X 9'	2
15	NWC00001	SPRING 7 X 7/8 X .10	1
16	OHC04	CLAMP WRM GR #4 1/4 - 5/8	2
17	OHC05	CLAMP WRM GR #5 5/16 - 7/8	4
18	OHC10	CLAMP WRM GR H10 9/16 - 1-1/16	2
19	OHCNS15B	STRAP SPECIALTY 15 BLACK	2
20	SCL075D	CAMLOCK 075 1/2" FPT	1
21	SCL075PL	CAMLOCK 075 PLUG 3/4"	1
22	S6AGG60W	60# GLYCERIN GAUGE	1
23	SHB10128	POLY HB 3/4" MPT X 1/2" HB	1
24	SHB10212	POLY HB 3/4" MPT X 3/4" HB	1
25	SHB1085	POLY HB 1/2" MPT X 3/8" HB	2
26	SHB1088	POLY HB 1/2" MPT X 1/2" HB	2
27	SPFN212	POLY NIPPLE CLS 3/4" MPT	2
28	SVAT23120	REGULATOR PRESSURE 3/4" POLY	1
29	SVATAA6B	VALVE MANUAL BOOM CONTROL	3
30	Z0629-WSB	SWING ARM ASSY	1
31	Z0629-WSC	SWING ARM EXT ASSY	1
32	SHB20128	POLY HB 3/4" MPT X 1/2" HB	1



ITEM NO.	PART NO.	DESCRIPTION	QTY.
1	ASRMGC-100	F/S CLIP KIT HANDWAND HOLDER	2
2	FHC381	BOLT, 3/8-16 X 1.0	8
3	FLW38	WASHER LOCK 3/8	8
4	FNT38	NUT, .38 HEX ZP	8
5	HOEP038	HOSE EDPM 3/8 WP200# X 30'	1
6	HOEPO12	HOSE EDPM 1/2 WP200# X 3'	1
7	MACHR-75	HOSE REEL MANUAL 75' VALLEY 30	1
8	OHC04	CLAMP WRM GR #4 1/4 - 5/8	2
9	OHC05	CLAMP WRM GR #5 5/16 - 7/8	2
10	SHB2066	POLY HB EL 3/8"MPT X 3/8"HB POLY	1
11	SHB2068	HB EL 3/8"MPT X 1/2"HB	1
12	SSPAA50800	HANDWAND 50800 21"	1
13	Z0629-WSD	UTV 75 GAL HOSE REEL BRKT	1



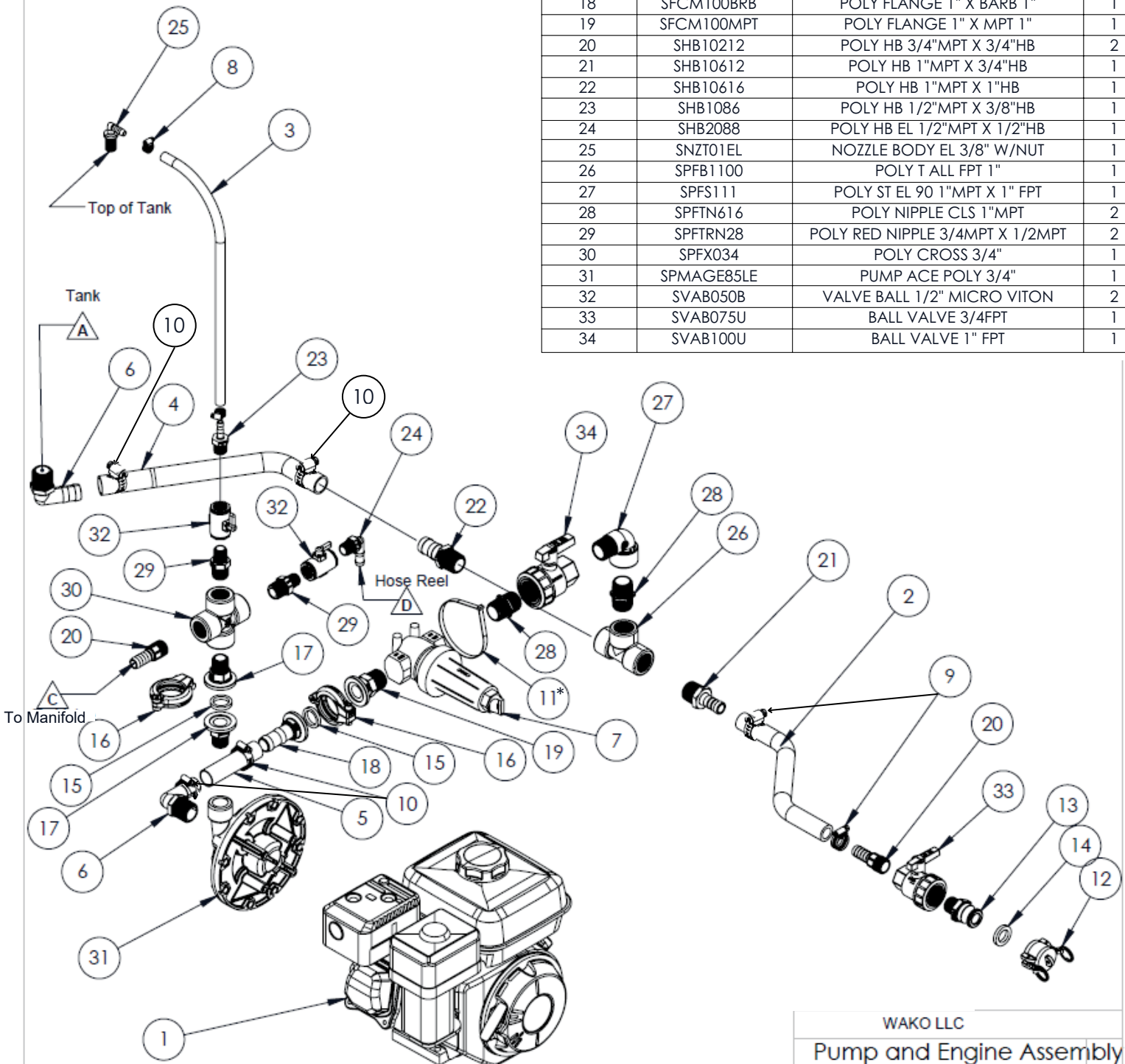
COPYRIGHT © WAKO, LLC ALL RIGHTS RESERVED  
MADE IN THE USA

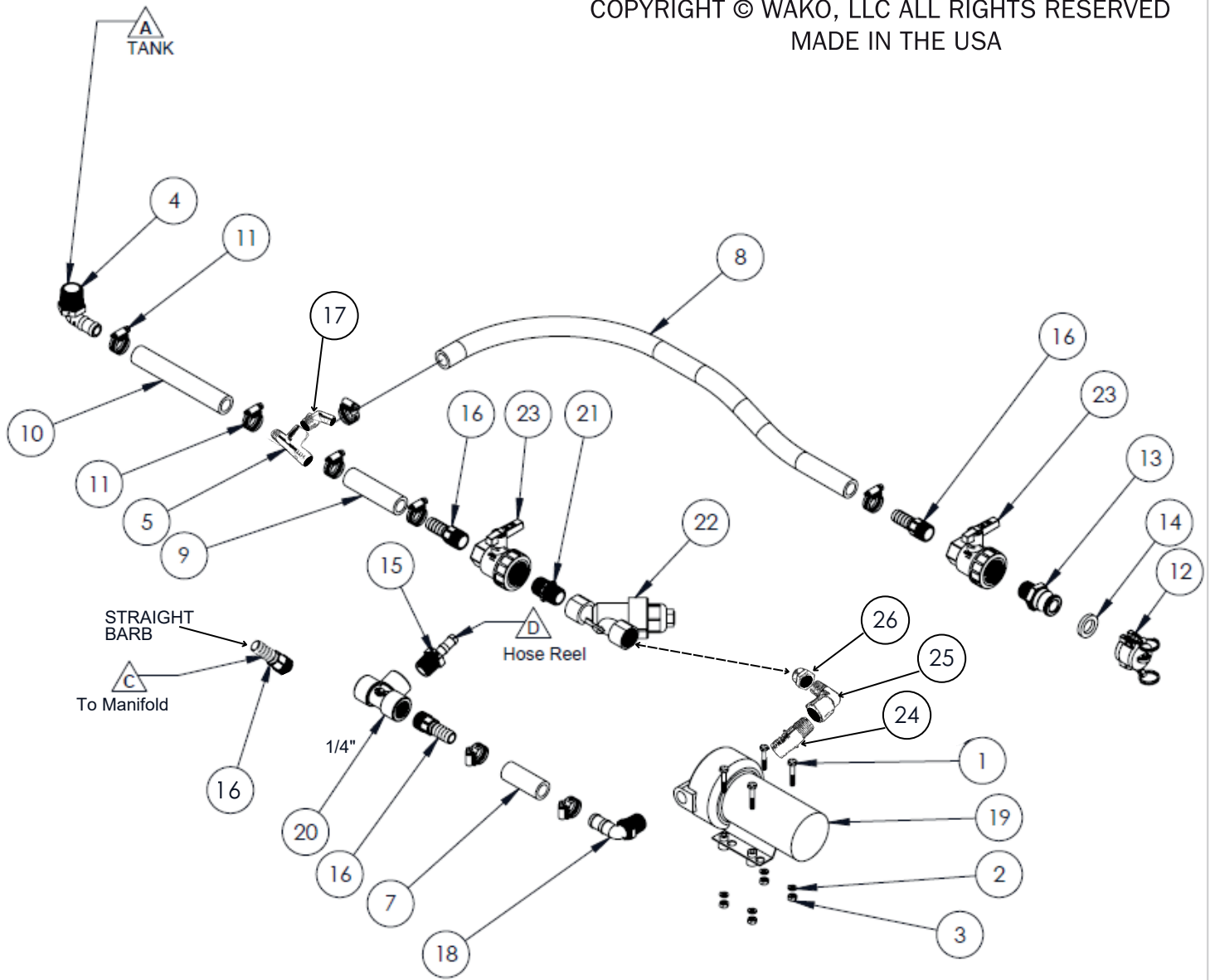
ITEM NO.	PART NO.	DESCRIPTION	QTY.
1	FHC381	BOLT, 3/8-16 X 1.0	8
2	FLW38	WASHER LOCK 3/8	8
3	FNT38	NUT, .38 HEX ZP	16
4	TAA0075	TANK APPLICTR 075 GAL	1
5	TAF075	TANK FITNG BULKHD 3/4"	1
6	TAF100	TANK FITNG BULKHD 1"	1
7	TAL10522	TANK LID	1
8	TAW250	TANK STRAPPING	2
9	TAW386	TANK BELT J-BOLT TANK	4
10	Z0199P	STRAPPING BUCKLE	4
11	Z0629-WSE	BRACKET, BOOM MOUNT	2
12	Z0629-WSA1	UTV 75 GAL SKID W/ STRAPS	1

ITEM NO.	PART NO.	DESCRIPTION	QTY.
1	ENGH5.5KHP	ENG HON 5.5 GX160 3/4 KEYSHAFT	1
2	HOEP034	HOSE EDPM 3/4 WP200# X 13"	1
3	HOEP038	HOSE EDPM 3/8 WP200# X 20"	1
4	HOF01	HOSE FERT SOLUT 1 WP80# X 14"	1
5	HOF01	HOSE FERT SOLUT 1 WP80# X 4.5"	1
6	SHB20616	POLY HB 1"MPT X 1"HB	2
7	SSTBT10050	STRAINER TEE 1" 50M SCREEN	1
8	OHC04	CLAMP WRM GR #4 1/4 - 5/8	2
9	OHC10	CLAMP WRM GR H10 9/16 - 1-1/16	2
10	OHC16	CLAMP WRM GR #H16 5/8 - 1-1/2	4
11*	OHCNS15B	STRAP SPECIALTY 15 BLACK	2
12	SCL075CA	CAMLOCK 075CA CAP 3/4	1
13	SCL075F	CAMLOCK 075F 3/4 MPT X MCL	1
14	SCL075G	CAMLOCK 075G GASKET	1
15	SCLG100	FLANGE GASKET 1"	2
16	SFCCH100	FLANGE CLAMP HYPRO 1" WO/GASK	2
17	SFCM100075MPT	FLANGE ADAPT 1" X 3/4 MPT	2
18	SFCM100BRB	POLY FLANGE 1" X BARB 1"	1
19	SFCM100MPT	POLY FLANGE 1" X MPT 1"	1
20	SHB10212	POLY HB 3/4"MPT X 3/4"HB	2
21	SHB10612	POLY HB 1"MPT X 3/4"HB	1
22	SHB10616	POLY HB 1"MPT X 1"HB	1
23	SHB1086	POLY HB 1/2"MPT X 3/8"HB	1
24	SHB2088	POLY HB EL 1/2"MPT X 1/2"HB	1
25	SNZT01EL	NOZZLE BODY EL 3/8" W/NUT	1
26	SPFB1100	POLY T ALL FPT 1"	1
27	SPFS111	POLY ST EL 90 1"MPT X 1" FPT	1
28	SPFTN616	POLY NIPPLE CLS 1"MPT	2
29	SPFTRN28	POLY RED NIPPLE 3/4MPT X 1/2MPT	2
30	SPFX034	POLY CROSS 3/4"	1
31	SPMAGE85LE	PUMP ACE POLY 3/4"	1
32	SVAB050B	VALVE BALL 1/2" MICRO VITON	2
33	SVAB075U	BALL VALVE 3/4FPT	1
34	SVAB100U	BALL VALVE 1" FPT	1

\*Used as needed

Included in Camlock  
(for replacement)



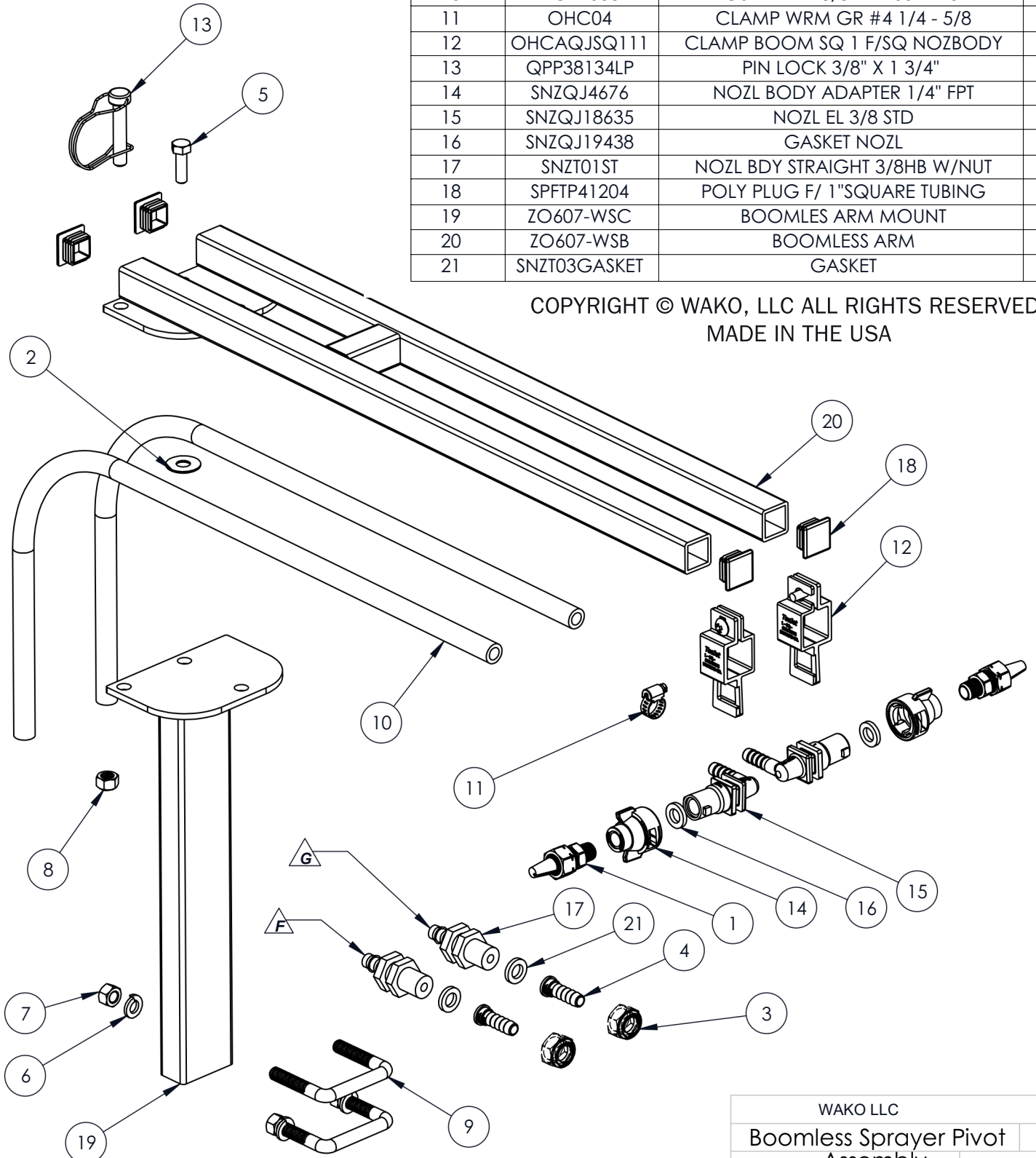


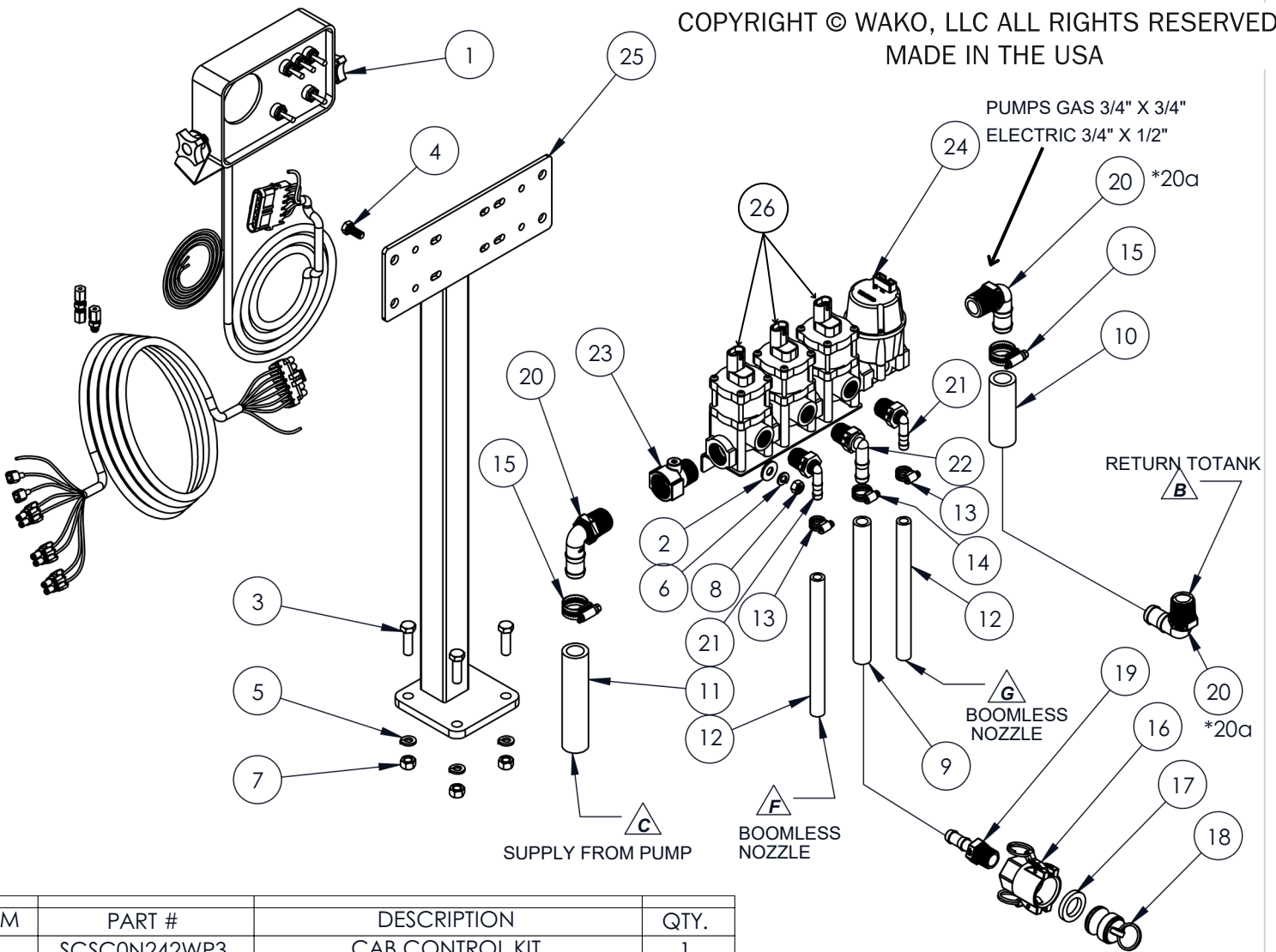
ITEM NO.	PART NO.	DESCRIPTION	QTY.
1	FHC14112	BOLT HXCP 1/4 X 1 1/2 GD5	4
2	FLW14	WASHER LOCK 1/4	4
3	FNT14	NUT HX 1/4	4
4	SHB20612	POLY HB 90 1" MPT X 3/4" HB	1
5	SHBF1212	POLY T 3/4 HB X HB X 3/4" FPT	1
6	HOEP034	HOSE EDPM 3/4 WP200#	1
7	HOEP034	HOSE EDPM 3/4 WP200#	1
8	HOEP034	HOSE EDPM 3/4 WP200#	1
9	HOEP034	HOSE EDPM 3/4 WP200#	1
10	HOEP034	HOSE EDPM 3/4 WP200#	1
11	OHC10	CLAMP WRM GR H10 9/16 - 1-1/16	8
12	SCL075CA	CAMLOCK 075CA CAP 3/4	1
13	SCL075F	CAMLOCK 075F 3/4 MPT X MCL	1
14	SCL075G	CAMLOCK 075G GASKET	1
15	SHB10128	POLY HB 3/4" MPT X 1/2" HB	1
16	SHB10212	POLY HB 3/4" MPT X 3/4" HB	4
17	SHB20212	POLY HB 3/4" MPT X 3/4" HB EL	1
18	SMT5503E	PUMP 5503 FITTING 3/4" ELBOW	1
19	SMT5503ED	PMP DDP 550 12V 5.3 GPM W/O PR	1
20	SPFB3400	POLY T ALL FPT 3/4"	1
21	SPFTN212	POLY NIPPLE CLS 3/4" MPT	1
22	SSTB07540	STRAINER TEE 3/4" 40M SCREEN	1
23	SVAB075U	BALL VALVE 3/4 FPT	2
24	SMT550312MP	#18 5503 FITTING X 1/2 MPT	1
25	SPFS212	1/2" ST ELBOW	1
26	SPFT0303	3/4" X 1/2" RED BUSH	1

PART#	PUMP	NOZZLE
SNZBB20	GAS	BLUE #20
SNZBB10	ELECTRIC	GREEN #10

ITEM	PART #	DESCRIPTION	QTY.
1	SNZBB20	NOZL "BOOM X TENDER" 1/4MPT	2
2	FFW38	ZINC PLATED STEEL OVERSIZED WASHER	1
3	SNZT03CA	NOZZLE BODY CAP	2
4	SNZT3638	BARB 3/8 FOR NOZZLE BODY	2
5	FHC381	BOLT, 3/8-16 X 1.0	1
6	FLW38	WASHER LOCK 3/8	4
7	FNT38	NUT, .38 HEX ZP	4
8	FNT38T	NUT 3/8-16 HEX TOP LOCK	1
9	FUB38134SQ	BOLT U X FLEX HARROW FOR ARM	2
10	HOEP038	HOSE EDPM 3/8 WP200# X 34"	2
11	OHC04	CLAMP WRM GR #4 1/4 - 5/8	4
12	OHCAQJSQ111	CLAMP BOOM SQ 1 F/SQ NOZBODY	2
13	QPP38134LP	PIN LOCK 3/8" X 1 3/4"	1
14	SNZQJ4676	NOZL BODY ADAPTER 1/4" FPT	2
15	SNZQJ18635	NOZL EL 3/8 STD	2
16	SNZQJ19438	GASKET NOZL	2
17	SNZT01ST	NOZL BDY STRAIGHT 3/8HB W/NUT	2
18	SPFTP41204	POLY PLUG F/ 1" SQUARE TUBING	4
19	ZO607-WSC	BOOMLES ARM MOUNT	1
20	ZO607-WSB	BOOMLESS ARM	1
21	SNZT03GASKET	GASKET	2

COPYRIGHT © WAKO, LLC ALL RIGHTS RESERVED  
MADE IN THE USA





ITEM	PART #	DESCRIPTION	QTY.
1	SCSC0N242WP3	CAB CONTROL KIT	1
2	FFW516	WASHER FLAT 5/16	2
3	FHC38114	BOLT HXCP 3/8 X 1-1/4 GD5	4
4	FHC51675	BOLT HXCP 5/16 X 3/4 GD5	2
5	FLW38	WASHER LOCK 3/8	4
6	FLW516	WASHER LOCK 5/16	2
7	FNT38	NUT, .38 HEX ZP	4
8	FNT516	NUT HX 5/16	2
9	HOEP012	HOSE EDPM 1/2 WP200# X 7.5'	1
10	HOEP034	HOSE EDPM 3/4 WP200# X 3'	1
11	HOEP034	HOSE EDPM 3/4 WP200# X 5'	1
12	HOEP038	HOSE EDPM 3/8 WP200# X 7'	2
13	OHC04	CLAMP WRM GR #4 1/4 - 5/8	4
14	OHC05	CLAMP WRM GR #5 5/16 - 7/8	2
15	OHC10	CLAMP WRM GR H10 9/16 - 1-1/16	4
16	SCL075D	CAMLOCK 075 1/2" FPT	1
17	SCL075G	CAMLOCK 075G GASKET	1
18	SCL075PL	CAMLOCK 075 PLUG 3/4"	1
19	SHB1088	POLY HB 3/4" MPT X 1/2" HB	1
20	SHB20212	POLY HB EL 3/4" MPT X 3/4" HB	3
21	SHB2086	POLY HB EL 1/2" MPT X 3/8" HB	2
22	SHB2088	POLY HB EL 1/2" MPT X 1/2" HB	1
23	SCSPL2152	TIR 3/4" NPT GAUGE PORT ADAPTOR	1
24	SCSPR1506B	1506 B PRESSURE REGULATOR	1
25	ZO629-WSH	UTV 75 GAL ELECT VALVE STAND	1
26	SCSSV2502B1WP	12V SOLENOID VALVE 175 PSI 10GPM	3

Included in Camlock  
(for replacement)

ITEM	DESCRIPTION
*20a	Electric: POLY HB EL 3/4" MPT X 1/2" HB



# WARRANTY

**USE OF THIS LIMITED WARRANTY.** This limited warranty (the “Limited Warranty”) is provided by Wako, LLC to the original purchaser (“you”) of the Equipment (as defined below) from WAKO, LLC, or an authorized dealer of WAKO, LLC. This Limited Warranty does not apply to any subsequent or other transferee of the Equipment. THIS LIMITED WARRANTY GIVES YOU SPECIFIC LEGAL RIGHTS, YOU MAY ALSO HAVE OTHER RIGHTS WHICH VARY FROM STATE TO STATE.

**WHAT THIS LIMITED WARRANTY COVERS AND FOR HOW LONG.** WAKO, LLC warrants that any registered new Equipment will be free from defects in material and workmanship for a period of one (1) year (homeowner), 90 days (commercial user), after delivery of the Equipment to you (the “Warranty Period”). Products shall be warranted from defects in workmanship and material when used within the service and scope for which they were designed. The Warranty Period is not extended if WAKO, LLC repairs or replaces the Equipment.

**WHAT IS NOT COVERED BY THIS LIMITED WARRANTY.** This Limited Warranty does not apply to: (1) used Equipment; (2) any Equipment that has been altered, changed, repaired or treated since its delivery to you, other than by WAKO, LLC or its authorized dealers; (3) damage or depreciation due to normal wear and tear; (4) defects or damage due to failure to follow WAKO, LLC operator manual, specifications or other instructions, or improper storage, operation, maintenance, application or installation of parts; (5) defects or damage due to misuse, accident or neglect, “acts of God” or other events beyond WAKO, LLC reasonable control; (6) accessories, attachments, tools or parts that were not manufactured by WAKO, LLC, whether or not sold or operated with the equipment; or (7) rubber parts, such as tires, hoses, gaskets, grommets, and straps. Component parts that are not manufactured directly by WAKO, LLC shall be warranted by the original equipment manufacturer warranties.

**HOW TO OBTAIN WARRANTY SERVICE.** To obtain warranty service under this Limited Warranty, you must (1) provide written notice to WAKO, LLC of the defect during the Warranty Period and within thirty days (30) after the defect becomes apparent or the repair becomes necessary, at the following address: WAKO, LLC, 5606 N. US HWY 81, Enid OK 73701; and (2) make the Equipment available to WAKO, LLC or to an authorized dealer within a reasonable period of time. The original invoice or other similar proof of purchase of the applicable product must be provided by purchaser. For more information about his Limited Warranty, please call 800-299-4300. Email: [customerservice@wakollc.com](mailto:customerservice@wakollc.com)

**WHAT REMEDIES ARE AVAILABLE UNDER THIS LIMITED WARRANTY.** If the conditions set forth above are fulfilled and the Equipment or any part thereof is found to be defective, WAKO, LLC shall, at its own cost, and at its option, either repair or replace the defective Equipment or part. WAKO, LLC will have the option to pay for the shipping and handling fees to return the repaired or replacement Equipment or part to you.

**LIMITATION OF IMPLIED WARRANTIES AND OTHER REMEDIES.** The remedies described above are your sole liability and exclusive remedies and WAKO, LLC sole liability for any breach of this limited warranty. To any extent applicable, any implied warranties, including, without limitation, the implied warranties of merchantability and fitness for a particular purpose, shall be limited in duration to the warranty period. And the remedies available for breach thereof shall be limited to the remedies available under any circumstances, for any consequential incidental, special, or punitive damages or losses, whether direct or indirect.

**GOVERNING LAW.** This Limited Warranty will be governed by the laws of the State of Oklahoma, without giving effect to any choice of law rule that would cause the application of the laws of any other jurisdiction.

# ***OWNERS MANUAL***

MANUFACTURING QUALITY AG EQUIPMENT SINCE 1962  
FAMILY OWNED AND OPERATED

**800-299-4300 / 580-234-3434**

PARTS COUNTER - EXT. 407, 409  
PARTS COUNTER EMAIL - STORE@WAKOLLC.COM

5606 N. US 81 HWY  
ENID, OK. 73701

**VISIT**

---

**WAKOLLC.COM**



**YOUTUBE**



**FACEBOOK**



**TIK TOK**



**FOLLOW US**

---



COPYRIGHT © WAKO, LLC ALL RIGHTS RESERVED  
MADE IN THE USA

**580-234-3434  
800-299-4300**

**5606 N. US 81 HWY,  
ENID, OK. 73701**

**WAKOLLC.COM**



EST. 1962